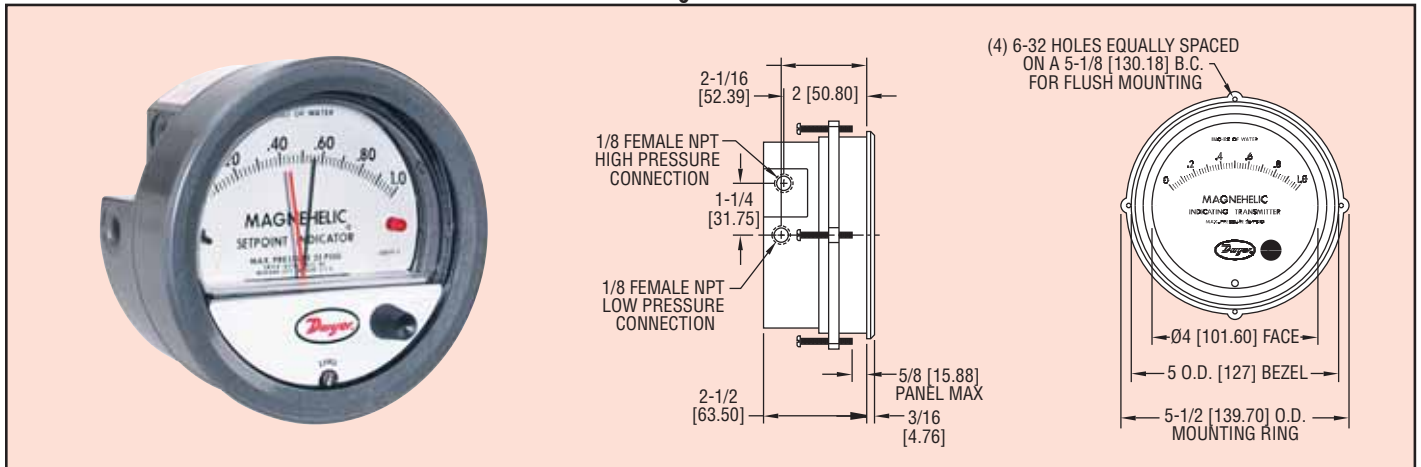




Series  
2000-SP

# Magnehelic® Differential Pressure Gages

Indicate Positive, Negative or Differential, Accurate within 2%



Bright red LED on right of scale shows when setpoint is reached. Field adjustable from gage face, unit operates on 12-24 VDC. Requires MP or HP style cover and bezel.

For Set Point Indicator Option, Add suffix **-SP** to end of gage model number  
Ex: 2001-SP

## SPECIFICATIONS

**Service:** Air and non-combustible, compatible gases. (Natural gas option available.)

**Wetted Materials:** Consult factory.

**Housing:** Die cast aluminum case and bezel, with acrylic cover. Exterior finish is coated gray to withstand 168 hour salt spray corrosion test.

**Accuracy:**  $\pm 2\%$  of full scale ( $\pm 3\%$  on - 0, -100 Pa, -125 Pa, 10MM and  $\pm 4\%$  on - 00, -60 Pa, -6MM ranges), throughout range at 70°F (21.1°C).

**Pressure Limits:** 35 psig (2.41 bar), HP option: 80 psig (5.52 bar).

**Overpressure:** Relief plug opens at approximately 25 psig (1.72 bar), standard gages only.

**Temperature Limits:** 20 to 140°F (-6.67 to 60°C).

**Size:** 4" (101.6 mm) diameter dial face.

**Mounting Orientation:** Diaphragm in vertical position. Consult factory for other position orientations.

**Process Connections:** 1/8" female NPT duplicate high and low pressure taps - one pair side and one pair back.

**Weight:** 1 lb 2 oz (510 g), MP & HP 2 lb 2 oz (963 g).

**Standard Accessories:** Two 1/8" NPT plugs for duplicate pressure taps, two 1/8" pipe thread to rubber tubing adapter and three flush mounting adapters with screws. (Mounting and snap ring retainer substituted for 3 adapters in MP & HP gage accessories.)